

**Start Emerging Business of**

# **Silicon Metal**

**Investment Opportunities in Profitable  
Industry.**



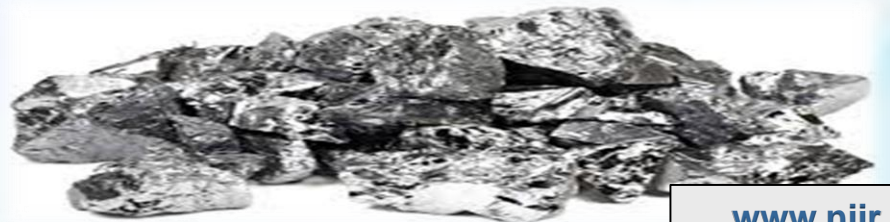
# Introduction

**Silicon metal (symbol Si) is a grey metallicly glossy metalloid element in its purest form. Because of its shiny look, metallurgical grade silicon is referred to as silicon metal. Smelting silicon metal in submerged electric arc furnaces is a time-consuming and energy-intensive operation. The material's further processing into different product grades allows it to be used in a variety of industrial operations.**

**Silicon is a chemical element with the atomic number 14 and the symbol Si. It is a tetravalent metalloid and semiconductor that is a hard, brittle crystalline solid with a blue-grey metallic sheen. In the periodic table, it belongs to group 14; carbon is above it, and germanium, tin, lead, and flerovium are below it. It has a low reactivity. The most abundant element in the Earth's crust is silicon. It can be found in rocks, sand, clays, and soils, either as silicon dioxide or as silicates containing oxygen and other elements.**

# Uses of Silicon Metal

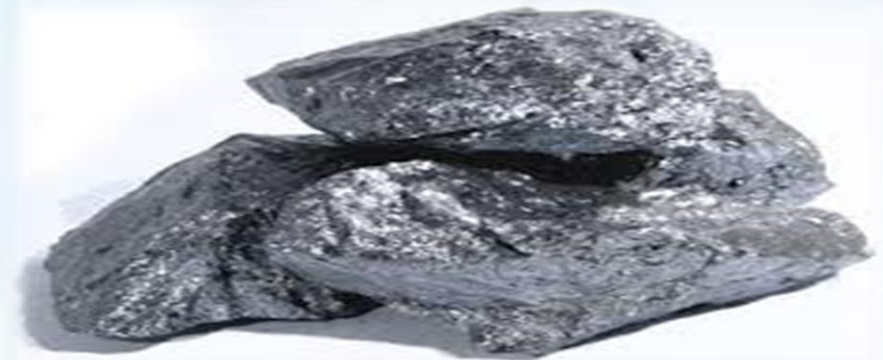
**Many businesses rely on high-purity silicon metal. It's utilized in the chemical industry to make silicon compounds and silicon wafers, which are utilized in photovoltaic solar cells and electronic semiconductors. Aluminum makers employ it to improve the material's already valuable characteristics. Silicon improves the cast ability, hardness, and strength of aluminium when utilized with it.**



**Because of its potential to increase the strength of aluminium, silicon metal is employed as an alloying agent in the aluminium industry. In the manufacturing of aluminium, silicon is employed as an alloying element. It gives the metal more strength while also reducing its weight. Solar panels, for example, are made of silicon.**



**Furthermore, silicon is found in a variety of everyday items such as lubricants and greases. Many electronic gadgets employ silicon chips (manufactured from semi-conductor grade silicon). Ceramics, pyrotechnics, ammunition, refractories, and vapour deposition are only a few of the applications.**



# Market Outlook

**The global silicon metal market was worth USD 6.05 billion in 2019 and is predicted to increase at a CAGR of 4.6 percent between 2020 and 2027.**

**The market is likely to be fueled by rising aluminium output around the world. Various reasons are currently driving the global silicon metal market, including a rise in demand for aluminium alloys in the automotive industry, an increasing silicone application spectrum, demand....**

**....from energy storage industries, and consistent demand from the worldwide chemical sector. Growing use of silicon metal in solar panel manufacture and a focus on lowering silicon metal production costs will help the global silicon market grow in the future. Silicon metal is already a critical component of the metal smelting industry; however, demand for the material has risen in recent years, owing primarily to the electronics and solar industries.**



**In 2019, Asia Pacific dominated the Silicon metal market, with a revenue share of 38.3 percent. The presence of a big aluminium and silicone production base in China is responsible for this high proportion. In addition, China is the world's largest manufacturer of silicon metal. China's market is oversupplied, and as a result, the country exports a significant amount of its product.**



**Partially consolidated is the silicon metal market. The market is divided into two categories based on product type: metallurgy grade and chemical grade, with metallurgy grade dominating the market. Aluminum alloys, semiconductors, solar panels, stainless steel, and other applications are the segments of the market.**



# Key Players

1. Gravita India Ltd.
2. Kothari Metals Ltd.
3. Oswal Minerals Ltd.
4. Singhania Minerals Pvt. Ltd.
5. Welcome Impex Pvt. Ltd.

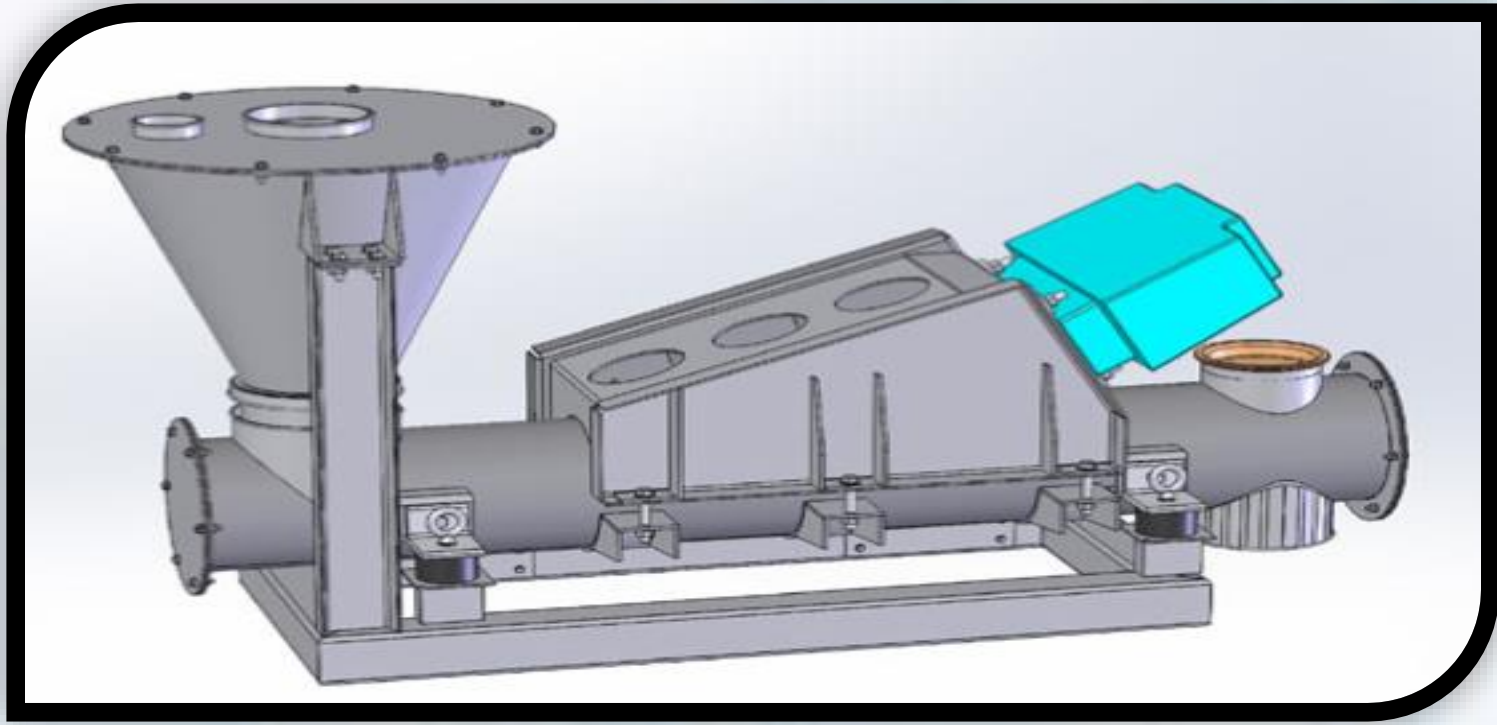
# Machinery Photographs



## Flue Gas Bag House & Scrubber



# Ladle



# Feeder

The main title "Project at a Glance" is centered on the page. The word "Project" is on the top line and "at a Glance" is on the bottom line. Both lines of text are rendered in a large, bold, blue font with a thick red outline. The text is superimposed over a background image of several grey, irregularly shaped rocks. The text has a slight drop shadow effect, making it stand out from the background.

COST OF PROJECT				MEANS OF FINANCE			
Particulars	Existing	Proposed	Total	Particulars	Existing	Proposed	Total
Land & Site Development Exp.	0.00	715.00	715.00	Capital	0.00	1725.04	1725.04
Buildings	0.00	2745.00	2745.00	Share Premium	0.00	0.00	0.00
Plant & Machineries	0.00	2138.15	2138.15	Other Type Share Capital	0.00	0.00	0.00
Motor Vehicles	0.00	35.00	35.00	Reserves & Surplus	0.00	0.00	0.00
Office Automation Equipments	0.00	202.00	202.00	Cash Subsidy	0.00	0.00	0.00
Technical Knowhow Fees & Exp.	0.00	100.00	100.00	Internal Cash Accruals	0.00	0.00	0.00
Franchise & Other Deposits	0.00	0.00	0.00	Long/Medium Term Borrowings	0.00	5175.12	5175.12
Preliminary & Pre-operative Exp	0.00	20.00	20.00	Debentures / Bonds	0.00	0.00	0.00
Provision for Contingencies	0.00	203.82	203.82	Unsecured Loans/Deposits	0.00	0.00	0.00
Margin Money - Working Capital	0.00	741.20	741.20				
<b>TOTAL</b>	<b>0.00</b>	<b>6900.16</b>	<b>6900.16</b>	<b>TOTAL</b>	<b>0.00</b>	<b>6900.16</b>	<b>6900.16</b>



Year	Annualised		Book Value	Debt	Dividend	Retained Earnings		Payout	Probable Market Price	P/E Ratio	Yield Price/ Book Value
	EPS	CEPS	Per Share		Per Share	Per Share				No. of Times	
	`	`	`	`	`	%	`	%	`		%
1-2	5.67	9.46	15.67	24.00	0.00	100.00	5.67	0.00	5.67	1.00	0.00
2-3	8.82	12.14	24.49	18.00	0.00	100.00	8.82	0.00	8.82	1.00	0.00
3-4	11.99	14.91	36.48	12.00	0.00	100.00	11.99	0.00	11.99	1.00	0.00
4-5	15.13	17.68	51.61	6.00	0.00	100.00	15.13	0.00	15.13	1.00	0.00
5-6	18.20	20.45	69.81	0.00	0.00	100.00	18.20	0.00	18.20	1.00	0.00

Year	D. S. C. R.			Debt / - Deposits Debt	Equity as- Equity	Total Net Worth	Return on Net Worth	Profitability Ratio					Assets Turnover Ratio	Current Ratio
	Individual	Cumu lative	Overa lative II					GPM	PBT	PAT	Net Contributi on	P/V Ratio		
	(Number of times)			(Number of times)		%	%	%	%	%	%			
Initial				3.00	3.00									
1-2	1.39	1.39		1.53	1.53	2.77		8.93%	5.54%	3.83%	7831.89	30.65 %	2.53	1.07
2-3	1.75	1.57		0.73	0.73	1.65		10.59%	7.81%	5.10%	8843.18	29.67 %	2.69	1.28
3-4	2.18	1.75	2.18	0.33	0.33	1.02		11.77%	9.48%	6.07%	10099.49	29.65 %	2.69	1.54
4-5	2.67	1.96		0.12	0.12	0.67		12.64%	10.72%	6.81%	11355.80	29.63 %	2.59	1.83
5-6	3.27	2.18		0.00	0.00	0.45		13.27%	11.65%	7.37%	12612.11	29.62 %	2.44	2.55

**BEP**

<b>BEP - Maximum Utilisation Year</b>	<b>5</b>
<b>Cash BEP (% of Installed Capacity)</b>	<b>57.19%</b>
<b>Total BEP (% of Installed Capacity)</b>	<b>60.26%</b>

**IRR, PAYBACK and FACR**

<b>Internal Rate of Return .. ( In %age )</b>	<b>28.47%</b>
<b>Payback Period of the Project is ( In Years )</b>	<b>2 Years 3 Months</b>
<b>Fixed Assets Coverage Ratio ( No. of times )</b>	<b>11.389</b>

## Major Queries/Questions Answered in the Report?

- 1. What is Silicon Metal Manufacturing industry ?**
- 2. How has the Silicon Metal Manufacturing industry performed so far and how will it perform in the coming years ?**
- 3. What is the Project Feasibility of Silicon Metal Manufacturing Plant ?**
- 4. What are the requirements of Working Capital for setting up Silicon Metal Manufacturing plant ?**

- 5. What is the structure of the Silicon Metal Manufacturing Business and who are the key/major players ?**
- 6. What is the total project cost for setting up Silicon Metal Manufacturing Business?**
- 7. What are the operating costs for setting up Silicon Metal Manufacturing plant ?**
- 8. What are the machinery and equipment requirements for setting up Silicon Metal Manufacturing plant ?**

- 9. Who are the Suppliers and Manufacturers of Plant & Machinery for setting up Silicon Metal Manufacturing plant ?**
- 10. What are the requirements of raw material for setting up Silicon Metal Manufacturing plant ?**
- 11. Who are the Suppliers and Manufacturers of Raw materials for setting up Silicon Metal Manufacturing Business?**
- 12. What is the Manufacturing Process of Silicon Metal?**

**13. What is the total size of land required for setting up Silicon Metal Manufacturing plant ?**

**14. What will be the income and expenditures for Silicon Metal Manufacturing Business?**

**15. What are the Projected Balance Sheets of Silicon Metal Manufacturing plant ?**

**16. What are the requirement of utilities and overheads for setting up Silicon Metal Manufacturing plant?**

**17. What is the Built up Area Requirement and cost for setting up Silicon Metal Manufacturing Business?**

**18. What are the Personnel (Manpower) Requirements for setting up Silicon Metal Manufacturing Business?**

**19. What are Statistics of Import & Export for Silicon Metal?**

**20. What is the time required to break-even of Silicon Metal Manufacturing Business?**

**21. What is the Break-Even Analysis of Silicon Metal Manufacturing plant?**

**22. What are the Project financials of Silicon Metal Manufacturing Business?**



**23. What are the Profitability Ratios of Silicon Metal Manufacturing Project?**

**24. What is the Sensitivity Analysis-Price/Volume of Silicon Metal Manufacturing plant?**

**25. What are the Projected Pay-Back Period and IRR of Silicon Metal Manufacturing plant?**

**26. What is the Process Flow Sheet Diagram Of Silicon Metal Manufacturing project?**

**27. What are the Market Opportunities for setting up Silicon Metal Manufacturing plant?**

**28. What is the Market Study and Assessment for setting up Silicon Metal Manufacturing Business?**

**29. What is the Plant Layout for setting up Silicon Metal Manufacturing Business?**

# Table of Contents of the Project Report

# 1. PROJECT LOCATION

## • STATE PROFILE & GEOTECHNICAL SITE CHARACTERIZATION

- ***General***
- ***History***
- ***Geography***
- ***Climate***
- ***Plant and Animal Life***
- ***Land***
- ***Economy Profile***
- ***Resources and power***
- ***Manufacturing***

- ***Services***
- ***Transport***
- ***Industries***
- ***Irrigation***
- ***Power***
- ***Foreign Investment***
- ***Tourism***
- ***Festivals***
- ***Map***

# • **STATE PROFILE & GEOTECHNICAL SITE CHARACTERIZATION**

- ***General***
- ***History***
- ***Geography***
- ***Land***
- ***Relief***
- ***Drainage and Soils***
- ***Climate***
- ***Plant and Animal Life***
- ***Demography***
- ***Economy***

- ***Resources and Power***
- ***Manufacturing***
- ***Health and Welfare***
- ***Education***
- ***Transportation***
- ***Industry and Minerals***
- ***Irrigation and Power***
- ***Transport***
- ***Tourism***
- ***Festivals***
- ***Cultural***
- ***Map***

## **2. INTRODUCTION**

## **3. USES OF SILICON**

- **ALUMINIUM**
- **SILICONES**

## **4. PROPERTIES**

- **PHYSICAL PROPERTIES**
- **CHEMICAL PROPERTIES**

## **5. GRADE OF SILICON METAL**



## **6. MARKET SURVEY**

- **MARKET DYNAMICS**
- **MARKET SCOPE**
- **MARKET SEGMENTATION**
- **MARKET PLAYERS**

## **7. SILICON - STATISTICS & FACTS**

## **8. GLOBAL SILICON METAL MARKET**

- **BY PRODUCT TYPE**
  - *By Region*
  - *By Application*

## **9. EXPORT & IMPORT: ALL COUNTRIES**

- **EXPORT: ALL COUNTRIES**
- **IMPORT: ALL COUNTRIES**

## **10. FINANCIALS & COMPARISON OF MAJOR INDIAN PLAYERS/COMPANIES**

- **ABOUT FINANCIAL STATEMENTS OF CMIE DATABASE**
- **PROFITS & APPROPRIATIONS**
- **TOTAL LIABILITIES**
- **TOTAL ASSETS**
- **NET CASH FLOW FROM OPERATING ACTIVITIES**

- **SECTION – I**

- ***Name of Company with Contact Details***
- ***Name of Director(S)***
- ***Credit Ratings***
- ***Plant Capacity***
- ***Location of Plant***
- ***Name of Raw Material(S) Consumed with Quantity & Cost***

- **SECTION – II**
  - ***Assets***
  - ***Cash Flow***
  - ***Cost as % of Sales***
  - ***Growth in Assets & Liabilities***
  - ***Growth in Income & Expenditure***
  - ***Income & Expenditure***
  - ***Liabilities***
  - ***Liquidity Ratios***
  - ***Profitability Ratio***
  - ***Profits***
  - ***Return Ratios***
  - ***Structure of Assets & Liabilities (%)***
  - ***Working Capital & Turnover Ratios***

## **11.COMPANY PROFILE OF MAJOR PLAYERS**

## **12.EXPORT & IMPORT STATISTICS OF INDIA**

- **EXPORT STATISTICS FOR SILICON METAL**
- **IMPORT STATISTICS FOR SILICON METAL**

## **13.PRESENT MANUFACTURERS**

## **14.RAW MATERIAL-DESCRIPTION**

## **15.MANUFACTURING PROCESS**

- **THE REDUCTION PROCESS**
- **QUALITY CONTROL**
- **BY PRODUCTS/WASTE**
- **WASTE HEAT RECOVERY**
- **ENVIRONMENT**

## **16.PROCESS FLOW DIAGRAM**

## **17.PLANT AND MACHINERY**

- **SUBMERGED ARC FURNACES**

## **18.PRINCIPLE AND CHARACTERISTICS OF SAF**

- **FEATURES OF SAF**
- **UTILITIES**

## **19.SUPPLIERS OF PLANT AND MACHINERY**

## **20.SUPPLIERS OF RAW MATERIAL**

## **21.PHOTOGRAPHS/IMAGES FOR REFERENCE**

- **PRODUCT PHOTOGRAPHS**
- **MACHINERY PHOTOGRAPHS**
- **RAW MATERIAL PHOTOGRAPHS**

## **22.PLANT LAYOUT**

# Project Financials

- **Project at a Glance** **Annexure**
- **Assumptions for Profitability workings .....1**
- **Plant Economics.....2**
- **Production Schedule.....3**
- **Land & Building.....4**
  - Factory Land & Building**
  - Site Development Expenses**

- **Plant & Machinery.....5**
  - Indigenous Machineries**
  - Other Machineries (Miscellaneous, Laboratory etc.)**
  
- **Other Fixed Assets.....6**
  - Furniture & Fixtures**
  - Pre-operative and Preliminary Expenses**
  - Technical Knowhow**
  - Provision of Contingencies**
  
- **Working Capital Requirement Per Month.....7**
  - Raw Material**
  - Packing Material**
  - Lab & ETP Chemical Cost**
  - Consumable Store**



- **Overheads Required Per Month and Per Annum.....8**
  - Utilities & Overheads (Power, Water and Fuel Expenses etc.)**
  - Royalty and Other Charges**
  - Selling and Distribution Expenses**
- **Salary and Wages .....9**
- **Turnover Per Annum .....10**
- **Share Capital.....11**
  - Equity Capital**
  - Preference Share Capital**

**□ Annexure 1 :: Cost of Project and Means of Finance**

**□ Annexure 2 :: Profitability and Net Cash Accruals**

- Revenue/Income/Realisation**
- Expenses/Cost of Products/Services/Items**
- Gross Profit**
- Financial Charges**
- Total Cost of Sales**
- Net Profit After Taxes**
- Net Cash Accruals**

## **□ Annexure 3 :: Assessment of Working Capital requirements**

- Current Assets**
- Gross Working Capital**
- Current Liabilities**
- Net Working Capital**
- Working Note for Calculation of Work-in-process**

## **□ Annexure 4 :: Sources and Disposition of Funds**

## **□ Annexure 5 :: Projected Balance Sheets**

- **ROI (Average of Fixed Assets)**
- **RONW (Average of Share Capital)**
- **ROI (Average of Total Assets)**

## **□ Annexure 6 :: Profitability Ratios**

- **D.S.C.R**
- **Earnings Per Share (EPS)**
- **Debt Equity Ratio**

## □ **Annexure 7 :: Break-Even Analysis**

- **Variable Cost & Expenses**
- **Semi-Variable/Semi-Fixed Expenses**
- **Profit Volume Ratio (PVR)**
- **Fixed Expenses / Cost**
- **B.E.P**

## □ Annexure 8 to 11 :: Sensitivity Analysis-Price/Volume

- **Resultant N.P.B.T**
- **Resultant D.S.C.R**
- **Resultant PV Ratio**
- **Resultant DER**
- **Resultant ROI**
- **Resultant BEP**

## **□ Annexure 12 :: Shareholding Pattern and Stake Status**

- Equity Capital**
- Preference Share Capital**

## **□ Annexure 13 :: Quantitative Details-Output/Sales/Stocks**

- Determined Capacity P.A of Products/Services**
- Achievable Efficiency/Yield % of Products/Services/Items**
- Net Usable Load/Capacity of Products/Services/Items**
- Expected Sales/ Revenue/ Income of Products/ Services/ Items**

- Annexure 14 :: Product wise Domestic Sales Realisation**
- Annexure 15 :: Total Raw Material Cost**
- Annexure 16 :: Raw Material Cost per unit**
- Annexure 17 :: Total Lab & ETP Chemical Cost**
- Annexure 18 :: Consumables, Store etc.**
- Annexure 19 :: Packing Material Cost**
- Annexure 20 :: Packing Material Cost Per Unit**



- Annexure 21 :: Employees Expenses**
- Annexure 22 :: Fuel Expenses**
- Annexure 23 :: Power/Electricity Expenses**
- Annexure 24 :: Royalty & Other Charges**
- Annexure 25 :: Repairs & Maintenance Expenses**
- Annexure 26 :: Other Manufacturing Expenses**
- Annexure 27 :: Administration Expenses**
- Annexure 28 :: Selling Expenses**

- Annexure 29 :: Depreciation Charges – as per Books (Total)**
- Annexure 30 :: Depreciation Charges – as per Books (P & M)**
- Annexure 31 :: Depreciation Charges - as per IT Act WDV (Total)**
- Annexure 32 :: Depreciation Charges - as per IT Act WDV(P & M)**
- Annexure 33 :: Interest and Repayment - Term Loans**
- Annexure 34 :: Tax on Profits**
- Annexure 35 :: Projected Pay-Back Period and IRR**

# Reasons for Buying Our Report



- ❖ **This report helps you to identify a profitable project for investing or diversifying into by throwing light to crucial areas like industry size, market potential of the product and reasons for investing in the product**
- ❖ **This report provides vital information on the product like it's characteristics and segmentation**
- ❖ **This report helps you market and place the product correctly by identifying the target customer group of the product**

- ❖ **This report helps you understand the viability of the project by disclosing details like machinery required, project costs and snapshot of other project financials**
- ❖ **The report provides a glimpse of government regulations applicable on the industry**
- ❖ **The report provides forecasts of key parameters which helps anticipate the industry performance and make sound business decisions**

The background of the slide is a blurred photograph of a business meeting. Several people are seated around a conference table, looking at documents and laptops. The setting appears to be a modern office with large windows in the background.

# Our Approach

- **Our research reports broadly cover Indian markets, present analysis, outlook and forecast for a period of five years.**
- **The market forecasts are developed on the basis of secondary research and are cross-validated through interactions with the industry players**
- **We use reliable sources of information and databases. And information from such sources is processed by us and included in the report**

# Scope of the Report

The report titled “Market Survey cum Detailed Techno Economic Feasibility Report on Silicon Metal.” provides an insight into Silicon Metal market in India with focus on uses and applications, Manufacturing Process, Process Flow Sheets, Plant Layout and Project Financials of Silicon Metal project. The report assesses the market sizing and growth of the Indian Silicon Metal Industry. While expanding a current business or while venturing into new business, entrepreneurs are often faced with the dilemma of zeroing in on a suitable product/line. And before diversifying/venturing into any product, they wish to study the following aspects of the identified product:



- **Good Present/Future Demand**
- **Export-Import Market Potential**
- **Raw Material & Manpower Availability**
- **Project Costs and Payback Period**

**We at NPCS, through our reliable expertise in the project consultancy and market research field, have demystified the situation by putting forward the emerging business opportunity in the Silicon Metal sector in India along with its business prospects. Through this report we have identified Silicon Metal project as a lucrative investment avenue.**

# Tags

**#DetailedProjectReport #businessconsultant**  
**#BusinessPlan #feasibilityReport #NPCS**  
**#entrepreneurindia #startupbusiness**  
**#ProjectReport #startup #projectconsultancy**  
**#businessopportunity #SiliconMetal**  
**#MetalSilicon #MetalSiliconProduction**  
**#SiliconPowder #Ferroalloy**

***Niir PROJECT CONSULTANCY SERVICES (NPCS)***  
**can provide Detailed Project Report on**

# **Silicon Metal**

**See more**

**Project Reports & Profiles**

**BOOKS**

**Market Research Report**

*Visit us at*

[www.entrepreneurindia.co](http://www.entrepreneurindia.co)

[www.niir.org](http://www.niir.org)

A large, stylized Google Maps pin is centered on the page. The pin is composed of several colored segments: a blue top, a red left side, a yellow bottom-left, a green bottom, and a blue right side. The text is overlaid on the white center of the pin.

Take a look at  
**Niir Project Consultancy Services**  
on #Street View

<https://goo.gl/VstWkd>

**Locate us on  
Google Maps**

<https://goo.gl/maps/BKkUtg9gevT2>

# OUR CLIENTS

Our inexhaustible Client list includes public-sector companies, Corporate Houses, Government undertaking, individual entrepreneurs, NRI, Foreign investors, non-profit organizations and educational institutions from all parts of the World. The list is just a glimpse of our esteemed & satisfied Clients.

**Click here to take a look**  
**<https://goo.gl/G3ICjV>**



## **Select and Choose the Right Business Startup for You (Instant Online Project Identification and Selection)**

**Finding the right startup business is one of the most popular subject today. Starting a business is no easy endeavor, but the time, effort, and challenges can be worth it if you succeed. To give yourself the best chance to be successful, take your time to carefully find the right business for you. We, at NPCS, endeavor to make business selection a simple and convenient step for any entrepreneur/startup. Our expert team, by capitalizing on its dexterity and decade's long experience in the field, has created a list of profitable ventures for entrepreneurs who wish to diversify or venture. The list so mentioned is updated regularly to give you a regular dose of new emerging opportunities.**

**Visit:** <https://www.entrepreneurindia.co/project-identification>

# **Download Complete List of Project Reports:**

## **Detailed Project Reports**

**Visit:- <https://www.entrepreneurindia.co/complete-project-list>**

**NPCS is manned by engineers, planners, specialists, financial experts, economic analysts and design specialists with extensive experience in the related industries.**

**Our Market Survey cum Detailed Techno Economic Feasibility Report provides an insight of market in India. The report assesses the market sizing and growth of the Industry. While expanding a current business or while venturing into new business, entrepreneurs are often faced with the dilemma of zeroing in on a suitable product/line.**



**And before diversifying/venturing into any product, they wish to study the following aspects of the identified product:**

- ❑ Good Present/Future Demand**
- ❑ Export-Import Market Potential**
- ❑ Raw Material & Manpower Availability**
- ❑ Project Costs and Payback Period**

**The detailed project report covers all aspect of business, from analyzing the market, confirming availability of various necessities such as Manufacturing Plant, Detailed Project Report, Profile, Business Plan, Industry Trends, Market Research, Survey, Manufacturing Process, Machinery, Raw Materials, Feasibility Study, Investment Opportunities, Cost and Revenue, Plant Economics, Production Schedule,**

**Working Capital Requirement, uses and applications, Plant Layout, Project Financials, Process Flow Sheet, Cost of Project, Projected Balance Sheets, Profitability Ratios, Break Even Analysis. The DPR (Detailed Project Report) is formulated by highly accomplished and experienced consultants and the market research and analysis are supported by a panel of experts and digitalized data bank.**

**We at NPCS, through our reliable expertise in the project consultancy and market research field, have demystified the situation by putting forward the emerging business opportunity in India along with its business prospects.....[Read more](#)**



# Contact us

## *NIIR PROJECT CONSULTANCY SERVICES*

**106-E, Kamla Nagar, Opp. Mall ST,  
New Delhi-110007, India.**

**Email: [npcs.ei@gmail.com](mailto:npcs.ei@gmail.com) , [info@entrepreneurindia.co](mailto:info@entrepreneurindia.co)**

**Tel: +91-11-23843955, 23845654, 23845886**

**Mobile: +91-9097075054, 8800733955**

**Fax: +91-11-23845886**

**Website : [www.entrepreneurindia.co](http://www.entrepreneurindia.co) , [www.niir.org](http://www.niir.org)**

**Take a look at *NIIR PROJECT CONSULTANCY SERVICES* on #StreetView**

**<https://goo.gl/VstWkd>**



# **NIIR PROJECT CONSULTANCY SERVICES**

**AN ISO 9001: 2015 CERTIFIED COMPANY**

# Who are we?

- One of the leading reliable names in industrial world for providing the most comprehensive technical consulting services
- We adopt a systematic approach to provide the strong fundamental support needed for the effective delivery of services to our Clients' in India & abroad



**We at NPCS want to grow with you by providing solutions scale to suit your new operations and help you reduce risk and give a high return on application investments. We have successfully achieved top-notch quality standards with a high level of customer appreciation resulting in long lasting relation and large amount of referral work through technological breakthrough and innovative concepts. A large number of our Indian, Overseas and NRI Clients have appreciated our expertise for excellence which speaks volumes about our commitment and dedication to every client's success.**

**We bring deep, functional expertise, but are known for our holistic perspective: we capture value across boundaries and between the silos of any organization. We have proven a multiplier effect from optimizing the sum of the parts, not just the individual pieces. We actively encourage a culture of innovation, which facilitates the development of new technologies and ensures a high quality product.**

- **Project Identification**
- **Detailed Project Reports/Pre-feasibility Reports**
- **Market Research Reports**
- **Business Plan**
- **Technology Books and Directory**
- **Industry Trend**
- **Databases on CD-ROM**
- **Laboratory Testing Services**
- **Turnkey Project Consultancy/Solutions**
- **Entrepreneur India (An Industrial Monthly Journal)**



- We have two decades long experience in project consultancy and market research field
- We empower our customers with the prerequisite know-how to take sound business decisions
- We help catalyze business growth by providing distinctive and profound market analysis
- We serve a wide array of customers , from individual entrepreneurs to Corporations and Foreign Investors
- We use authentic & reliable sources to ensure business precision

# Our Approach

**Requirement collection**

**Thorough analysis of the project**

**Economic feasibility study of the Project**

**Market potential survey/research**

**Report Compilation**

## Who do we Serve?

- ❖ **Public-sector Companies**
- ❖ **Corporates**
- ❖ **Government Undertakings**
- ❖ **Individual Entrepreneurs**
- ❖ **NRI's**
- ❖ **Foreign Investors**
- ❖ **Non-profit Organizations, NBFC's**
- ❖ **Educational Institutions**
- ❖ **Embassies & Consulates**
- ❖ **Consultancies**
- ❖ **Industry / trade associations**

## Sectors We Cover

- ❖ **Ayurvedic And Herbal Medicines, Herbal Cosmetics**
- ❖ **Alcoholic And Non Alcoholic Beverages, Drinks**
- ❖ **Adhesives, Industrial Adhesive, Sealants, Glues, Gum & Resin**
- ❖ **Activated Carbon & Activated Charcoal**
- ❖ **Aluminium And Aluminium Extrusion Profiles & Sections**
- ❖ **Bio-fertilizers And Biotechnology**
- ❖ **Breakfast Snacks And Cereal Food**
- ❖ **Bicycle Tyres & Tubes, Bicycle Parts, Bicycle Assembling**

## Sectors We Cover *Cont...*

- ❖ **Bamboo And Cane Based Projects**
- ❖ **Building Materials And Construction Projects**
- ❖ **Biodegradable & Bioplastic Based Projects**
- ❖ **Chemicals (Organic And Inorganic)**
- ❖ **Confectionery, Bakery/Baking And Other Food**
- ❖ **Cereal Processing**
- ❖ **Coconut And Coconut Based Products**
- ❖ **Cold Storage For Fruits & Vegetables**
- ❖ **Coal & Coal Byproduct**

- ❖ **Copper & Copper Based Projects**
- ❖ **Dairy/Milk Processing**
- ❖ **Disinfectants, Pesticides, Insecticides, Mosquito Repellents,**
- ❖ **Electrical, Electronic And Computer based Projects**
- ❖ **Essential Oils, Oils & Fats And Allied**
- ❖ **Engineering Goods**
- ❖ **Fibre Glass & Float Glass**
- ❖ **Fast Moving Consumer Goods**
- ❖ **Food, Bakery, Agro Processing**

- ❖ **Fruits & Vegetables Processing**
- ❖ **Ferro Alloys Based Projects**
- ❖ **Fertilizers & Biofertilizers**
- ❖ **Ginger & Ginger Based Projects**
- ❖ **Herbs And Medicinal Cultivation And Jatropha (Biofuel)**
- ❖ **Hotel & Hospitality Projects**
- ❖ **Hospital Based Projects**
- ❖ **Herbal Based Projects**
- ❖ **Inks, Stationery And Export Industries**

## Sectors We Cover *Cont...*

- ❖ **Infrastructure Projects**
- ❖ **Jute & Jute Based Products**
- ❖ **Leather And Leather Based Projects**
- ❖ **Leisure & Entertainment Based Projects**
- ❖ **Livestock Farming Of Birds & Animals**
- ❖ **Minerals And Minerals**
- ❖ **Maize Processing(Wet Milling) & Maize Based Projects**
- ❖ **Medical Plastics, Disposables Plastic Syringe, Blood Bags**
- ❖ **Organic Farming, Neem Products Etc.**



- ❖ **Paints, Pigments, Varnish & Lacquer**
- ❖ **Paper And Paper Board, Paper Recycling Projects**
- ❖ **Printing Inks**
- ❖ **Packaging Based Projects**
- ❖ **Perfumes, Cosmetics And Flavours**
- ❖ **Power Generation Based Projects & Renewable Energy Based Projects**
- ❖ **Pharmaceuticals And Drugs**
- ❖ **Plantations, Farming And Cultivations**
- ❖ **Plastic Film, Plastic Waste And Plastic Compounds**
- ❖ **Plastic, PVC, PET, HDPE, LDPE Etc.**

- ❖ **Potato And Potato Based Projects**
- ❖ **Printing And Packaging**
- ❖ **Real Estate, Leisure And Hospitality**
- ❖ **Rubber And Rubber Products**
- ❖ **Soaps And Detergents**
- ❖ **Stationary Products**
- ❖ **Spices And Snacks Food**
- ❖ **Steel & Steel Products**
- ❖ **Textile Auxiliary And Chemicals**

- ❖ **Township & Residential Complex**
- ❖ **Textiles And Readymade Garments**
- ❖ **Waste Management & Recycling**
- ❖ **Wood & Wood Products**
- ❖ **Water Industry(Packaged Drinking Water & Mineral Water)**
- ❖ **Wire & Cable**

The background of the slide is a low-angle, upward-looking photograph of a city street. Tall buildings with glass facades line the street, and a person in a business suit is walking away from the camera in the distance. The sky is a clear, bright blue. The text 'Market Research Report' is overlaid in large, bold, dark blue letters, with a reflection effect below each word.

# Market Research Report

# Objective

- To get a detailed scenario of the industry along with its structure and classification
- To provide a comprehensive analysis of the industry by covering aspects like:
  - ❑ Growth drivers of the industry
  - ❑ Latest market trends
  - ❑ Insights on regulatory framework
  - ❑ SWOT Analysis
  - ❑ Demand-Supply Situation
  - ❑ Foreign Trade
  - ❑ Porters 5 Forces Analysis

# Objective

- To provide forecasts of key parameters which helps to anticipate the industry performance
- To help chart growth trajectory of a business by detailing the factors that affect the industry growth
- To help an entrepreneur/manager in keeping abreast with the changes in the industry
- To evaluate the competitive landscape of the industry by detailing:
  - ❑ Key players with their market shares
  - ❑ Financial comparison of present players

# Clientele

- Venturist/Capitalists
- Entrepreneur/Companies
- Industry Researchers
- Investment Funds
- Foreign Investors, NRI's
- Project Consultants/Chartered Accountants
- Banks
- Corporates

[Click here for list](#)

# Data Sources





# Scope & Coverage



## **Our Team**

- Our research team comprises of experts from various financial fields:**
- MBA's**
- Industry Researchers**
- Financial Planners**
- Research veterans with decades of experience**

# Structure of the Report

- 1. Overview**
- 2. Market Analysis**
  - 2.1 Growth Drivers**
  - 2.2 Emerging Trends in the Industry**
  - 2.3 Regulatory Framework**
  - 2.4 SWOT Analysis**
  - 2.5 Herfindahl–Hirschman Index (HHI)**
- 3. Market Forecasts**
- 4. Key Players**

# Structure of the Report

- 5. Key Financials and Analysis**
  - 5.1 Contact Information**
  - 5.2 Key Financials**
  - 5.3 Financial comparison**
- 6. Industry Size & Outlook**



Take a look at *NPIR PROJECT CONSULTANCY SERVICES*  
on #Street View

<https://goo.gl/VstWkd>





# Contact us

## *NIIR PROJECT CONSULTANCY SERVICES*

**106-E, Kamla Nagar, Opp. Mall ST,  
New Delhi-110007, India.**

**Email: [npcs.ei@gmail.com](mailto:npcs.ei@gmail.com) , [info@entrepreneurindia.co](mailto:info@entrepreneurindia.co)**

**Tel: +91-11-23843955, 23845654, 23845886**

**Mobile: +91-9097075054, 8800733955**

**Fax: +91-11-23845886**

**Website : [www.entrepreneurindia.co](http://www.entrepreneurindia.co) , [www.niir.org](http://www.niir.org)**

**Take a look at *NIIR PROJECT CONSULTANCY SERVICES* on #StreetView**

**<https://goo.gl/VstWkd>**

# Follow us



➤ <https://www.linkedin.com/company/niir-project-consultancy-services>



➤ <https://www.facebook.com/NIIR.ORG>



➤ <https://www.youtube.com/user/NIIRproject>



➤ [https://twitter.com/npcs\\_in](https://twitter.com/npcs_in)



➤ <https://www.pinterest.com/npcsindia/>

A decorative pattern of brown, stylized leaves and vines is positioned in the upper left corner of the slide, extending towards the center.

*Thank You!*

**For more information, visit us at:**

**[www.niir.org](http://www.niir.org)**

**[www.entrepreneurindia.co](http://www.entrepreneurindia.co)**